



# Nameplate Repair Tape

## Part Number 06385 (Gray)

Technical Data Sheet

September 2004

Supersedes Technical Data Sheet dated July 2002

### General Description

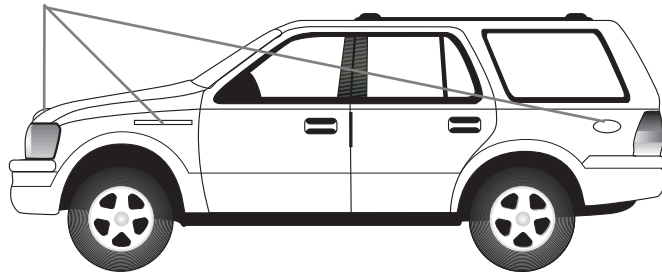
3M™ Nameplate Repair Tape 06385 is a gray, .030-inch thick, medium-density, closed-cell acrylic foam tape with high performance adhesives on both sides. It is characterized by high peel and shear adhesion, high internal strength, good conformability and excellent plasticizer resistance.

3M nameplate repair tape 06385 is thinner than other 3M attachment tapes to offer a flush fit of emblems and nameplates. Its gray color blends in for a professional-looking repair. The roll size is narrow and thin, making emblem repair faster and easier.

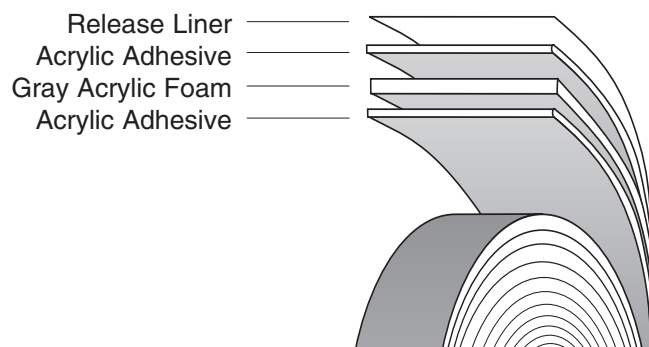
3M nameplate repair tape 06385 is not recommended for the repair and replacement of heavier automotive trim such as body side moldings. 3M offers several other tapes more suitable for those more demanding applications.

### Typical Applications

Badges/Nameplates/Emblems



### Product Construction

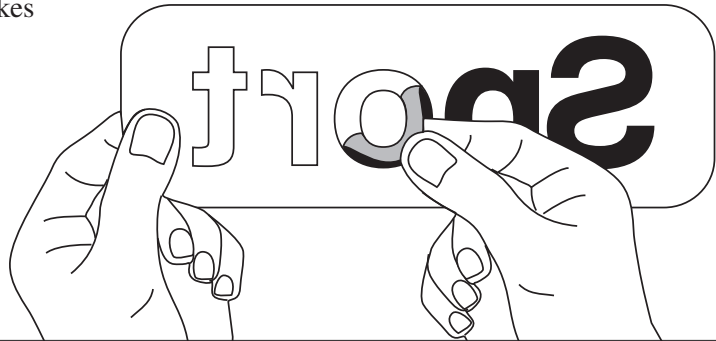


# Technical Data Sheet 06385

Page 2

## Application

Narrow tape width makes intricate emblem part repair fast and easy.



## Physical Properties

Foam	Gray acrylic
Liner color	Red
Thickness	0.030 in. (0,8 mm)
Package	Clam shell

## Ordering Information

Part Number	Size	Rolls Per Box	Boxes Per Case
06385	.23 in. x 5 yd (5,99 mm x 4,57 m)	1	12

## Other Trim Attachment And Repair Products

Please see your 3M catalog or consult your 3M representative for information about our complete line of automotive attachment tapes and adhesion promoter. Or you may visit us at [www.3M.com/automotive](http://www.3M.com/automotive), then click on "Product Catalog," then "3M™ Tapes and Scotch® Tapes," and then "3M™ Automotive Attachment Tapes."

**3M™ Automotive Adhesion Promoter 06396 is recommended for tape bonding to all plastic substrates. Please contact your 3M sales representative with application or performance questions.**

**Note:** All statements, technical information and recommendations herein are based on tests 3M believes are reliable. 3M does not warrant or guarantee the accuracy or completeness of this information.

**Warranty and Limited Remedy:** This product will be free from defects in material and workmanship at the time of shipment. 3M MAKES NO OTHER WARRANTIES, EXPRESS OR IMPLIED, INCLUDING, BUT NOT LIMITED TO, ANY IMPLIED WARRANTY OF MERCHANTABILITY OR FITNESS FOR A PARTICULAR PURPOSE. User is responsible for determining whether the 3M product is fit for a particular purpose and suitable for user's application. If this product is defective, your exclusive remedy and 3M's and seller's sole obligation shall be, at 3M's option, to replace the product or refund the purchase price.

**Limitation of Liability:** Except as provided above, 3M and seller will not be liable.

3M and Scotch are trademarks of 3M.

NASCAR™ is a registered trademark of the National Association for Stock Car Auto Racing, Inc.



### Automotive Aftermarket Division

3M Center, Building 223-6N-01  
St. Paul, MN 55144-1000  
[www.3M.com/automotive](http://www.3M.com/automotive)



Minimum 30% Post-Consumer Fiber  
Printed in U.S.A.  
© 3M 2004 75-3469-1088-0



QS 9000  
File No. A2109